

# KOBELCO

*We Save You Fuel*  
Achieving a Low-Carbon Society

Hydraulic Excavators

**ACERA**  
**GEOSPEC**

## LONG REACH ATTACHMENT

### SK135SR<sub>LC</sub> SK210<sub>LC</sub> SK260<sub>LC</sub>

SK135SRLC-3

Max. Digging Reach: 12,310 mm

Digging Depth: 9380 mm

SK210LC-8

Max. Digging Reach: 15,820 mm

Digging Depth: 12,010 mm

SK260LC-8

Max. Digging Reach: 18,530 mm

Digging Depth: 14,730 mm

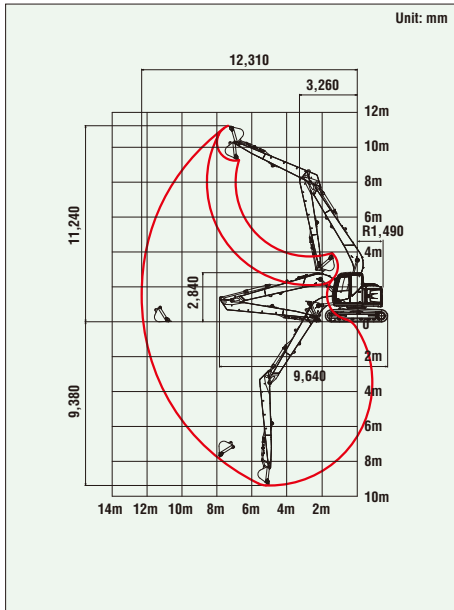
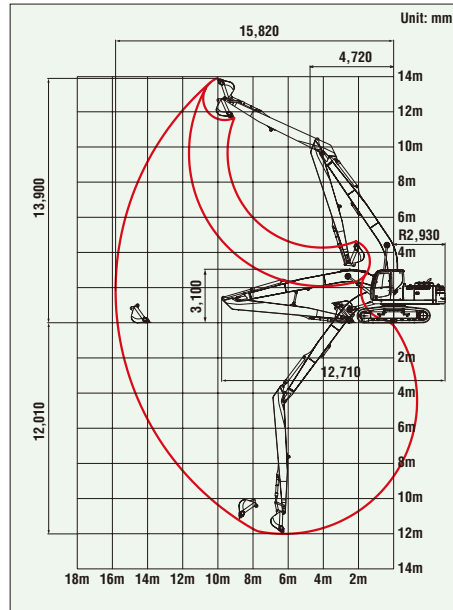
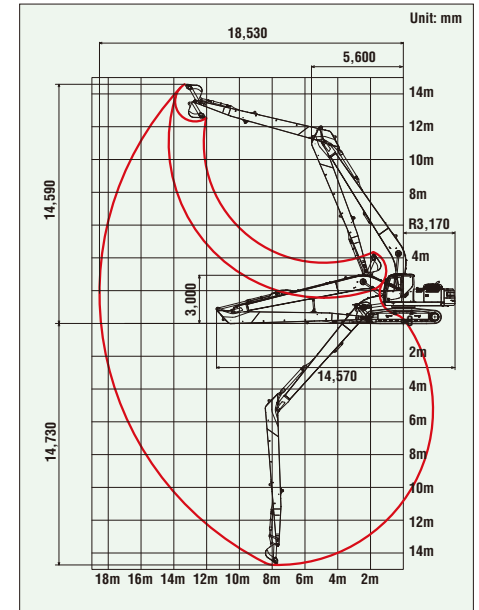


### Reaches Further and Deeper with Smooth, Stable Power

- Ideally suited to dredging, leveling, and other long reach operations.
- Extra-long crawlers ensure stability.
- Fuel-efficient diesel engine provides plenty of digging power.

# LONG REACH ATTACHMENT

## Working Ranges

**SK135SR<sub>LC</sub>**

**SK210<sub>LC</sub>**

**SK260<sub>LC</sub>**


## Main Specifications

Model	ACERA GEOSPEC SK135SRLC	ACERA GEOSPEC SK210LC	ACERA GEOSPEC SK260LC
Type	SK135SRLC-3	SK210LC-8	SK260LC-8
Long reach attachment	40 ft	50 ft	60 ft
Bucket capacity ISO heaped	m <sup>3</sup> 0.22	0.45	0.4
Operating weight	kg 14,700	23,000	27,200
Ground pressure	kPa {kgf/cm <sup>2</sup> } 45 {0.46}	36 {0.36}	40 {0.41}
Swing speed	min <sup>-1</sup> {rpm} 11.0 {11.0}	12.5 {12.5}	11.0 {11.0}
Travel speed	km/h 5.6/3.4	6.0/3.6	5.8/3.6
Gradeability	% (°) 70 (35)	70 (35)	70 (35)
Boom length	mm 6,900	8,750	10,350
Arm length	mm 4,850	6,350	8,250
Max. digging reach	mm 12,310	15,820	18,530
Max. digging height	mm 11,240	13,900	14,590
Max. digging depth	mm 9,380	12,010	14,730
Shoe width	mm 500	800	800
Overall height	mm 2,840	3,100	3,000
Overall length	mm 9,640	12,710	14,570

### KOBELCO CONSTRUCTION MACHINERY CO., LTD.

17-1, Higashigotanda 2-chome, Shinagawa-ku, Tokyo 141-8626 JAPAN  
 Tel: +81(0) 3-5789-2146 Fax: +81(0) 3-5789-2135  
[www.kobelco-kenki.co.jp/english\\_index.html](http://www.kobelco-kenki.co.jp/english_index.html)

Inquiries To: