

# KOBELCO

*That's KOBELCO!*  
Your First Choice

# Elevating Cab

**SK210<sub>LC</sub>**  
**SK260<sub>LC</sub>**  
**SK350<sub>LC</sub>**



Elevated height: **5,980 mm**  
(SK350LC)

**5,880 mm**  
(SK260LC)

**5,850 mm**  
(SK210LC)

\* From the ground to the top of the cab

Elevation range: **2,800 mm**  
(SK210LC, SK260LC, SK350LC)

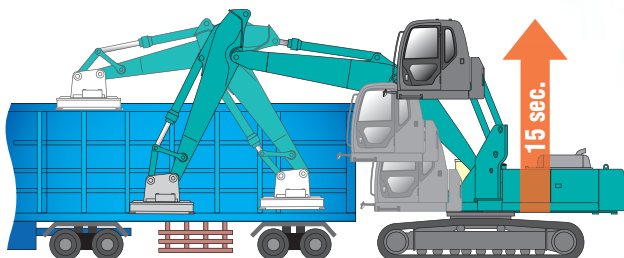
## Productivity

**Higher efficiency and productivity**

Cab elevation provides better visibility.



Time to reach maximum height: **15 sec.**



## Examples of operation



# Full Safety Features

## Safe elevation

New features ensure safety while the cab is being elevated.

Fitted with cab interference prevention system



● **Emergency cab lowering device**  
Control levers fitted both inside and outside cab.



● **Cab under-mirror**  
To check under the cab from the operator's seat.



● **Warning stripes**  
Yellow and black stripes maintain awareness of potential danger. On the side of the cab to the rear and the front of the machine bonnet.



● **Cab front screen guard**  
The cab front screen guard for upper and lower windows protects the cab and the operator from damage by falling or flying objects.



## Boom holding valve

This valve prevents the boom from dropping due to damage to the boom hydraulic circuits including hoses.



## Weighted counterweight for excellent stability and high performance



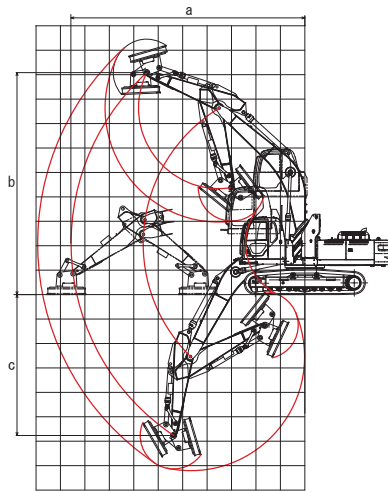
# Main Specifications

Model		SK210LC	SK260LC	SK350LC
Elevation method		Link type		
Operating weight	kg	26,800*	32,000	41,800
Engine rated power output (ISO14396)	kW/min <sup>-1</sup> {PS/rpm}	118/2,000 {160/2,000}	137/2,100 {186/2,100}	209/2,100 {284/2,100}
Elevation range	mm	2,800		

\*The operating weights listed above are for a machine with a  $\phi 1,150$  mm (SK260LC: $\phi 1,350$  mm, SK350LC: $\phi 1,550$  mm) lifting magnet.

## Working Range

(unit: mm)

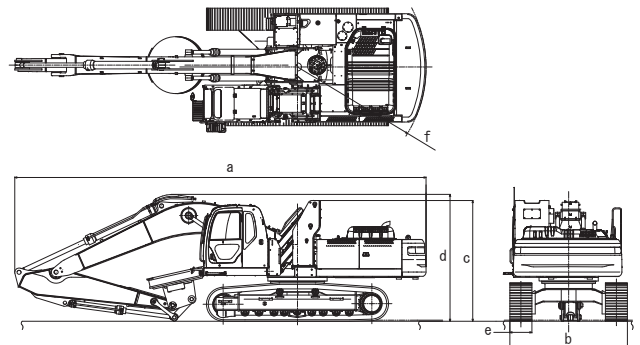


Model	SK210LC	SK260LC	SK350LC
Boom length	5,650	6,020	6,500
Arm length	2,940	2,980	3,300
Max. permissible working reach (arm tip)	8,460	8,790	9,570
Max. working height	8,380	8,420	9,090
Max. working depth	5,170	5,460	5,840

Note: The figure above shows the SK350LC with a link-type elevating cab and a lifting magnet.

## Dimensions

(unit: mm)



Model	SK210LC	SK260LC	SK350LC
Elevation method	Link type	Link type	Link type
a. Overall length	9,630*	10,290	11,200
b. Overall width of crawler	2,990	3,190	3,200
c. Overall height (to top of cab)	3,160	3,180	3,290
d. Overall height (to top of boom)	3,030	3,200	3,450
e. Shoe width	600	600	600
f. Tail swing radius	2,930	3,170	3,500

\*The SK210LC listed above has a  $\phi 1,150$  mm (SK260LC: $\phi 1,350$  mm, SK350LC: $\phi 1,550$  mm) lifting magnet.

**Note:** This catalog may contain attachments and optional equipment that are not available in your area. Please consult your local KOBELCO sales office or distributor for information on the front attachments you require. Due to our policy of continuous product improvements all designs and specifications are subject to change without advance notice.

Copyright by **KOBELCO CONSTRUCTION MACHINERY CO., LTD.** No part of this catalog may be reproduced in any manner without notice.

## KOBELCO CONSTRUCTION MACHINERY CO., LTD.

17-1, Higashigotanda 2-chome, Shinagawa-ku, Tokyo 141-8626 JAPAN  
Tel: +81 (0) 3-5789-2146 Fax: +81 (0) 3-5789-2135  
www.kobelco-kenki.co.jp/english\_index.html

### Inquiries To: